

The sliding door closer system eliminates dead space and ensures high safety.

Release the door, and it will automatically close gently and slowly.



□ S C - □ □ □ - □ □ □

- Model**
- D : Inclined
- N : Horizontal
- Door weight**
- 3 : 10-30kg
- 6 : 30-60kg (Horizontal)
- 8 : 60-80kg (Horizontal)
- 30-80kg (Inclined)
- 15 : 80-150kg
- Pull spring**
- 0 : Inclined
- 2 : PS-02
- 3 : PS-03
- 4 : PS-04
- 12 : PS-12
- Applicable doors**
- CW : for wooden fittings
- C : for steel lightweight fittings
- CB : for lightweight fittings in bathrooms

■ Application

● Wooden fittings, inclined **DSC-CW** series

Applicable door	Model	Door weight (kg)	Applicable door width (mm)
Wooden doors	DSC-CW03	10-30	700-1600
	DSC-CW08	30-80	

● Wooden fittings, horizontal **NSC-CW** series

Applicable door	Model	Door weight (kg)	Applicable door width (mm)
Wooden doors	NSC-CW23	10-30	700-1600
	NSC-CW36	30-60	
	NSC-CW48	60-80	

● Steel lightweight fittings, inclined **DSC-C** series

Applicable door	Model	Door weight (kg)	Applicable door width (mm)
Steel doors	DSC-C03	10-30	700-1600
	DSC-C08	30-80	
	DSC-C015	80-150	

● Steel lightweight fittings, horizontal **NSC-C** series

Applicable door	Model	Door weight (kg)	Applicable door width (mm)
Steel doors	NSC-C23	10-30	700-1600
	NSC-C36	30-60	
	NSC-C48	60-80	
	NSC-C1215	80-150	

● Lightweight fittings in bathrooms, horizontal type for bathrooms **NSC-CB** series

Applicable door	Model	Door weight (kg)	Applicable door width (mm)
Steel lightweight doors	NSC-CB23	10-30	700-1600
	NSC-CB36	30-60	
	NSC-CB48	60-80	

"NITTO" SLIDING CLOSER

COUNTRY OF ORIGIN : JAPAN

SLIDING
CLOSER
SYSTEM

For steel lightweight fittings, horizontal,
with door weights of 10-30kg, 30-60kg and 60-80kg

NSC-C23·36·48 series

**Reliable, Cost Effective, Sliding Doors
Closers – Simple to Use & Install**

Features

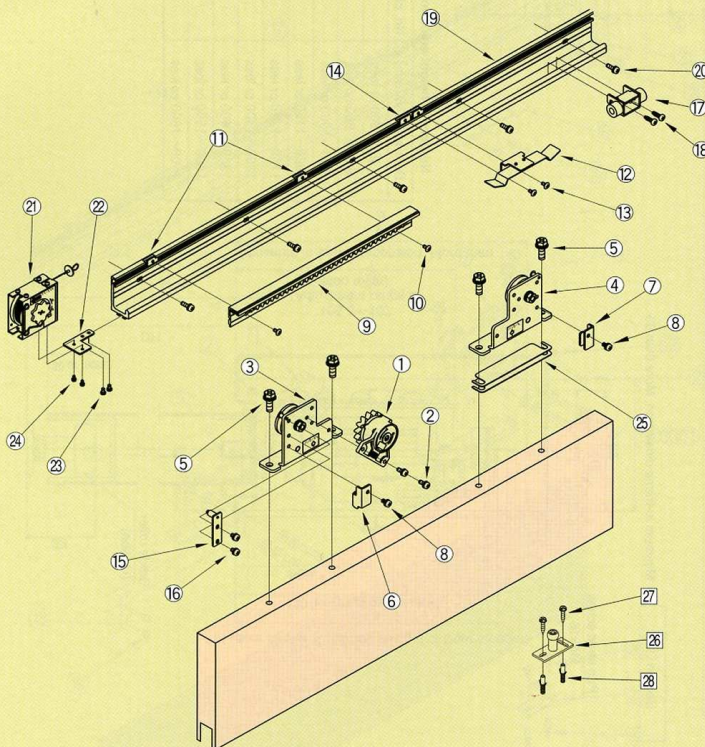
- A standardized set of parts required for horizontal steel lightweight fitting types. (The product comes standard with a stop device, and other equipment.)
- An endless fluid friction resistance system ensures a long life.
- The product can be converted to the right- and left-handed opening types by simple operation.
- It is easy to install with a screwdriver.



Specifications

Model	NSC-C23-22	NSC-C23-31	NSC-C36-22	NSC-C36-31	NSC-C48-22	NSC-C48-31
Applicable doors	10-30		30-60		60-80	
Weight [kg]	10-30		30-60		60-80	
Width [mm]	700-1200	1200-1600	700-1200	1200-1600	700-1200	1200-1600
Max. stroke [mm]	1500					
Closing drive system	Spiral spring type					
Controlling system	Fluid friction resistance type					
Controlling time	7-11 seconds (with a door-opening distance of 900mm)					
Initial opening force [N]	3.5-4.6		4.7-6.9		7.0-8.0	
Durability	More than 1 million open/close operations					
Pull spring	PS-02		PS-03		PS-04	
Rail length [m]	2.2	3.1	2.2	3.1	2.2	3.1

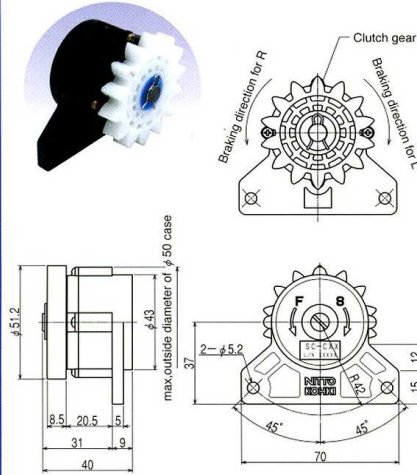
Part details



No.	Part	Qty	Remark
①	Control device	1	For control device
②	M5×12 pan head screw	2	For control device
③	Hanger A	1	For hanger
④	Hanger B	1	
⑤	M8×25 hexagon head bolt	4	Door retention
⑥	Door retention fitting Hanger A	1	
⑦	Door retention fitting Hanger B	1	Door retention
⑧	Pan head screw M5 × 8	2	
⑨	Control rack set	1	For control rack set
⑩	M4×8 truss screw	2	
⑪	Plate nut	2	For stop device
⑫	Plate spring	1	
⑬	M4×8 truss screw	2	For stop device
⑭	Plate nut	2	
⑮	Stop roller	1	For door stopper
⑯	M5×8 pan head screw	2	
⑰	Door stopper fitting	1	For door stopper
⑱	φ5×16 pan head tapping screw	2	
⑲	Rail L = 2200 [L = 3100]	1	For rail
⑳	M5×16 truss screw	8[11]	
	φ5×30 truss tapping screw	8[11]	For pull spring
㉑	Pull spring	1	
㉒	Pull spring fitting	1	For pull spring
㉓	M4×5 truss screw	2	
㉔	M3×8 truss screw	2	For guide roller Option
㉕	Height adjusting plate (t=1.0)	4	
㉖	Guide roller	1	For guide roller Option
㉗	φ5×25 Hexagon tapping screw	2	
	M5×12 Hexagon screw	2	For guide roller Option
㉘	Curl plug	2	

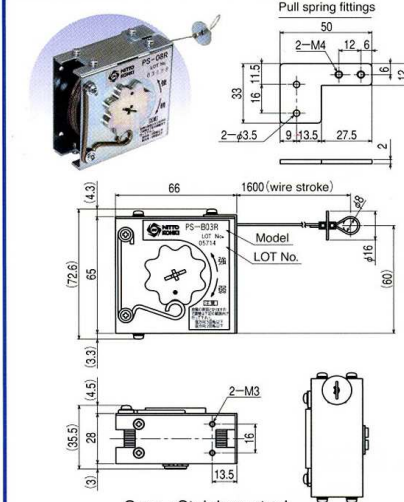
NSC-CB23・36・48

Control device SC-CB03/SC-CB08



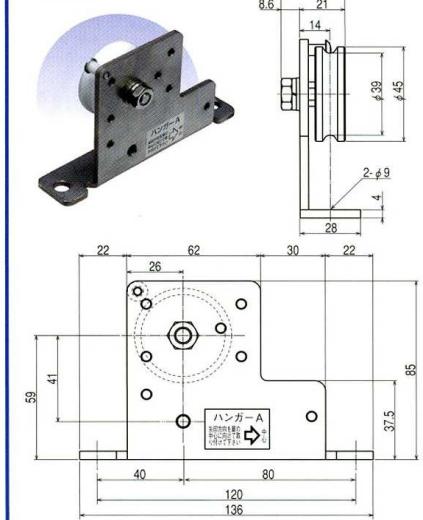
Shaft : Stainless steel
Case : Polyacetal
Clutch gear : Polyacetal

Pull spring PS-B02/PS-B03/PS-B04



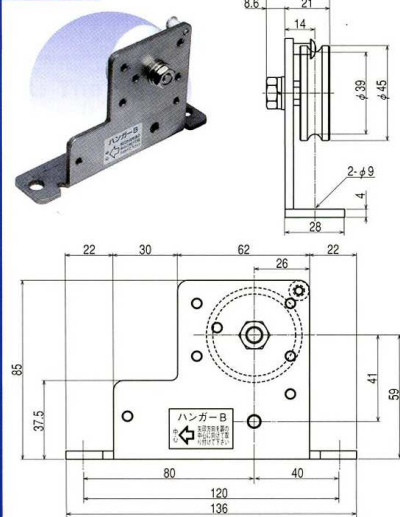
Case : Stainless steel
Shaft : Zinc die-casting
Spiral spring : Stainless steel

Hanger A



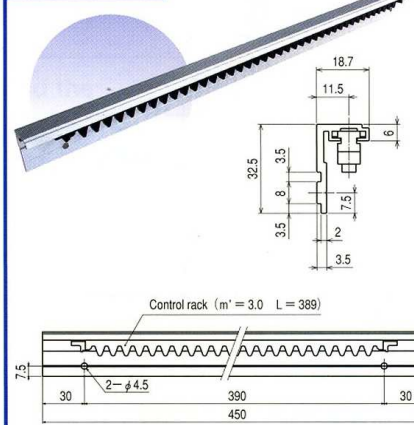
Bracket : Stainless steel
Door roller : Polyacetal

Hanger B



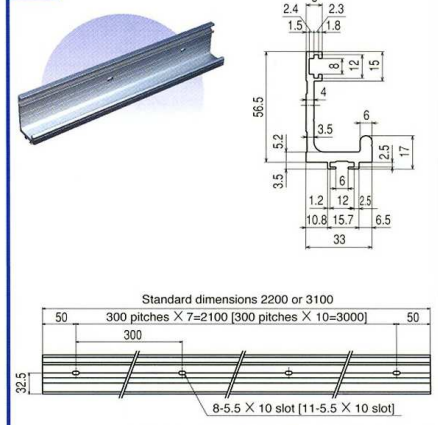
Bracket : Stainless steel
Door roller : Polyacetal

Control rack set



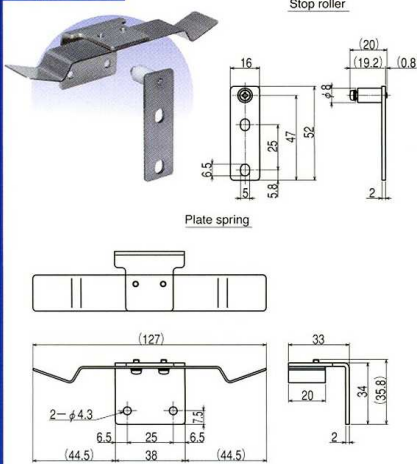
Control rack : Nylon
Rack retainer : Stainless steel
Noise suppression rubber : Nitrile rubber

Rail



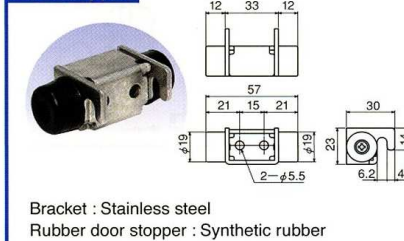
Rail : Aluminum section (Alumite-treated)

Stop device



Spring : Stainless steel
Other metal : Stainless steel

Door stopper



Bracket : Stainless steel
Rubber door stopper : Synthetic rubber

Guide roller (Option)

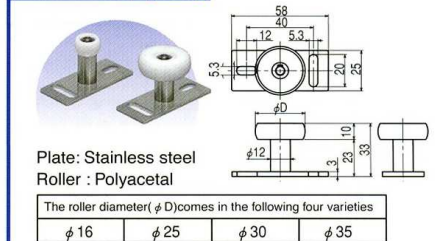
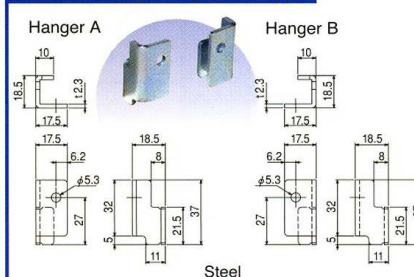


Plate : Stainless steel
Roller : Polyacetal

The roller diameter (φD) comes in the following four varieties

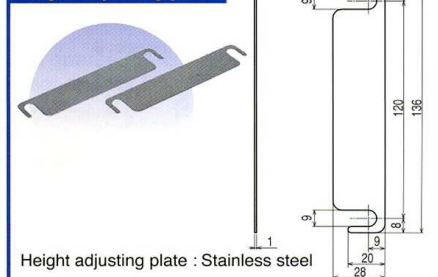
φ 16	φ 25	φ 30	φ 35
------	------	------	------

Door retaining fitting for CB type



Steel

Height adjusting plate



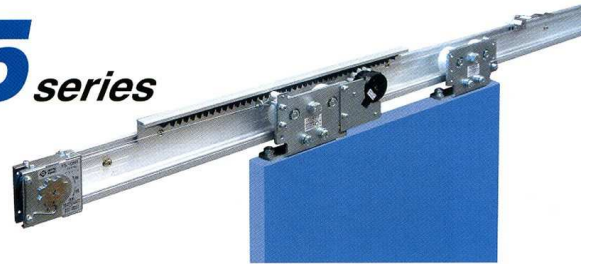
Height adjusting plate : Stainless steel

SLIDING CLOSER SYSTEM

For steel lightweight fittings, horizontal,
with door weights of 80~150kg

NSC-C1215 series

Reliable, Cost Effective, Sliding Doors
Closers – Simple to Use & Install



Features

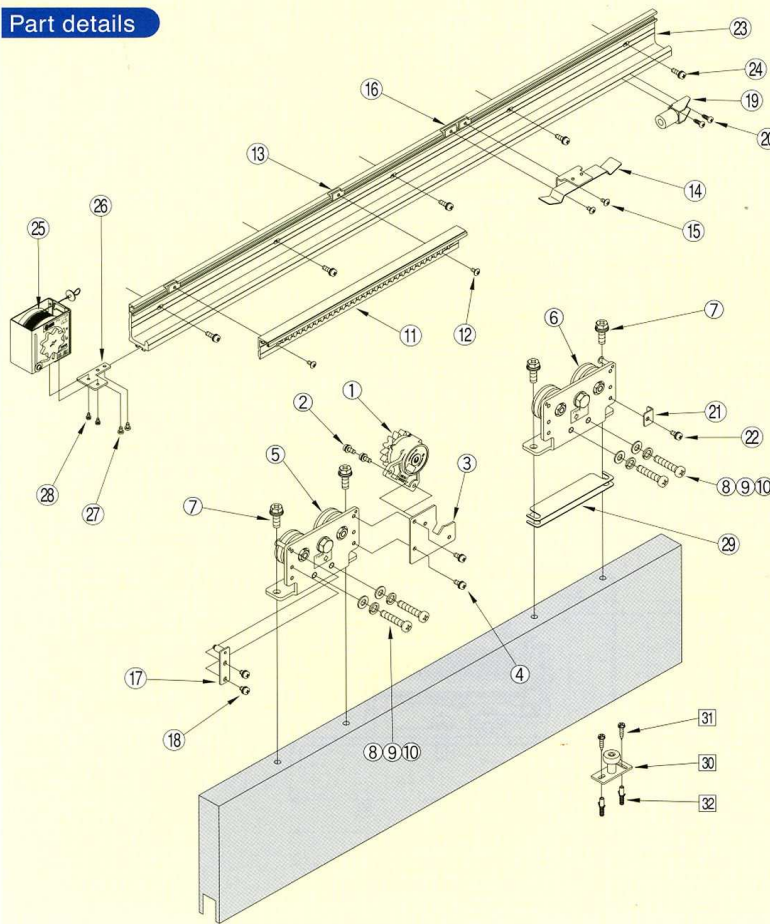
- A standardized set of parts required for horizontal steel lightweight fitting types. (The product comes standard with a stop device, and other equipment.)
- An endless fluid friction resistance system ensures a long life.
- The product can be converted to the right- and left-handed opening types by simple operation.
- It is easy to install with a single screwdriver.

Specifications

Model		Horizontal type	
		NSC-C1215-22	NSC-C1215-31
Applicable doors	Weight (kg)	80~150	
	Width (mm)	700~1200	1200~1600
Max. stroke (mm)		1500	
Closing drive system		Spiral spring type	
Controlling system		Fluid friction resistance type	
Controlling time		7~11seconds (with a door-opening distance of 900mm)	
Initial opening force (N)		13.8~19.6	
Durability		More than 1 million open/close operations	
Pull spring		PS-12	
Rail length (m)		2.2	3.1

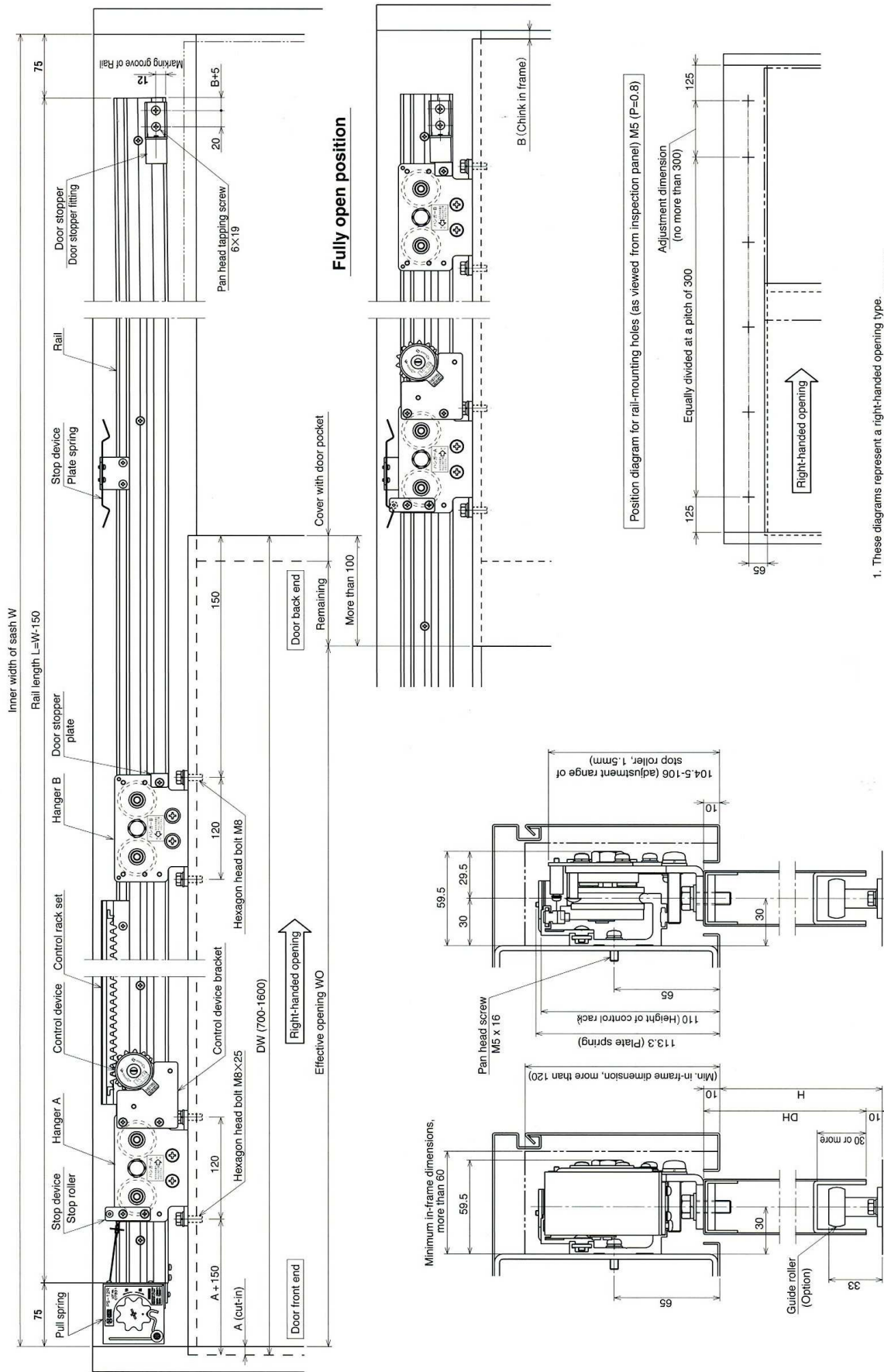


Part details



No.	Part	Q'ty	Remark
①	Control device	1	
②	M5X12 pan head screw	2	For control device
③	Control device bracket	1	
④	M5X12 pan head screw	2	
⑤	HangerA	1	For hanger
⑥	HangerB	1	
⑦	M8X25 hexagon head bolt	4	
⑧	M8X40 pan head screw	4	For door retention
⑨	Spring washer M 8	4	
⑩	Plean washer M8	4	
⑪	Control rack set	1	For control rack set
⑫	M4X8 truss screw	2	
⑬	Plate nut	2	
⑭	Plate spring	1	For stop device
⑮	M4X8 truss screw	2	
⑯	Plate nut	2	
⑰	Stop roller	1	For door stopper
⑱	M5X8 pan head screw	2	
⑲	Door stopper fitting	1	For door stopper
⑳	φ6X19 pan head drill screw	2	
㉑	Door stopper bearing plate	1	
㉒	M5X8 pan head screw	1	
㉓	Rail L=2200 [L=3100]	1	For rail
㉔	M5X16 truss screw	8[11]	
	φ5X30 truss tapping screw	8[11]	
㉕	Pull spring	1	For pull spring
㉖	Pull spring fitting	1	
㉗	M4X5 pan head screw	2	
㉘	M3X8 pan head screw	2	
㉙	Height adjusting plate (t=1.0)	4	For guide roller
㉚	Guide roller	1	
㉛	φ5X25 Hexagon tapping screw	2	Option
㉜	M5X12 Hexagon screw	2	
㉝	Curl plug	2	

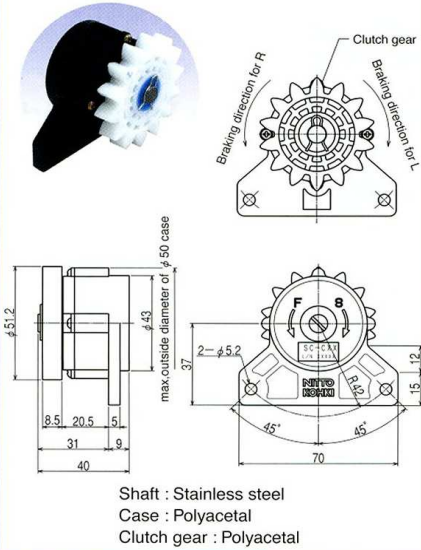
Installation diagrams NSC-C1215 series horizontal



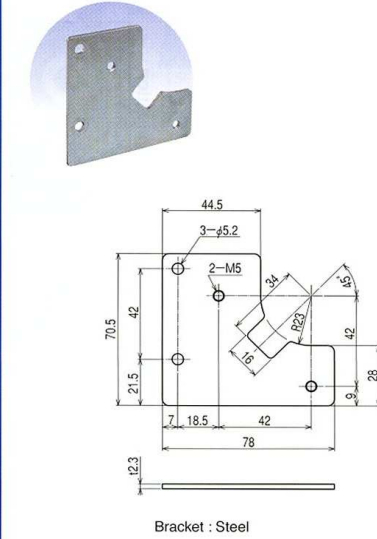
1. These diagrams represent a right-handed opening type. The left-handed opening type is a mirror image of these diagrams.
2. Door orientation is right-handed if the door is opened rightwards as viewed from the inspection panel, and left-handed if the door is opened leftwards.

DC-C015/NSC-C1215

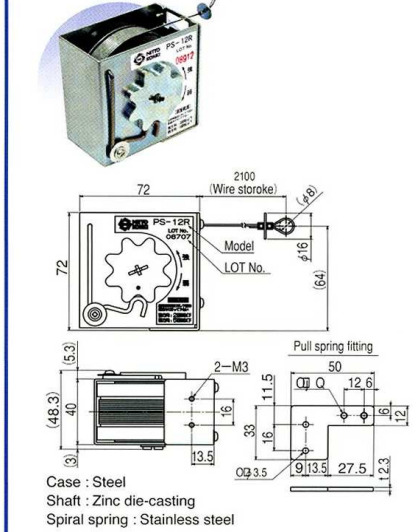
Control device SC-C15



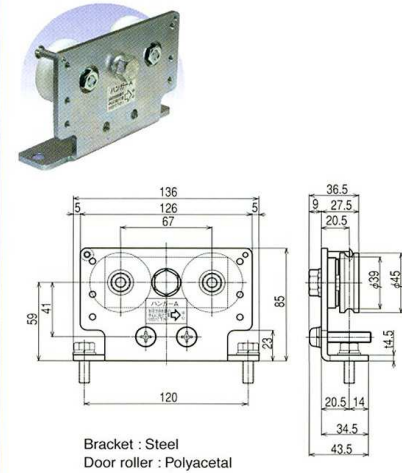
Control device bracket



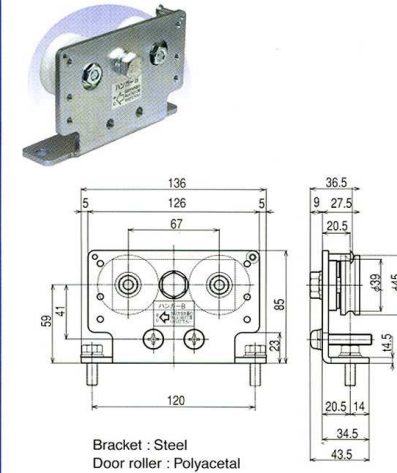
Pull spring PS-12



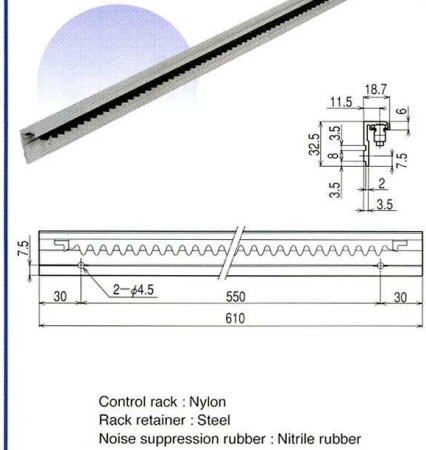
Hunger A



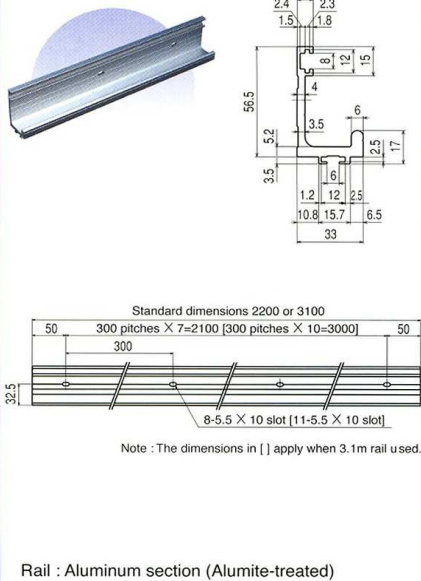
Hunger B



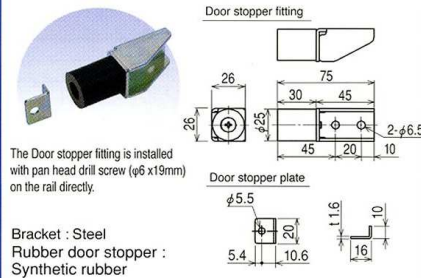
Control rack set



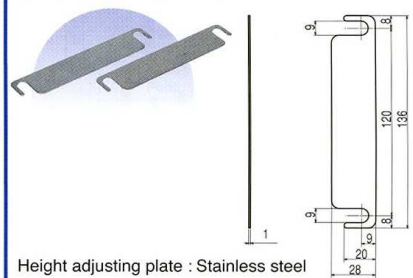
Rail



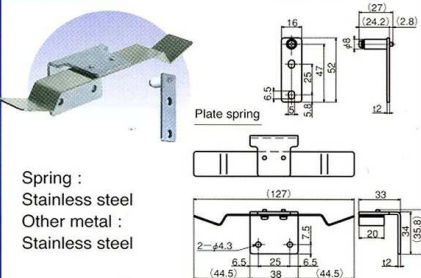
Door stopper fitting



Height adjusting plate



Stop device



Guide roller (Option)

